

yellobrik Server Module

LYNX | Centraal™

yelloGUI X

- System building block for use with LynxCentraal
- Supports up to 256 LYNX Rack Controllers
- Enables AutoControl and Custom Control in LynxCentraal
- Facilitates system wide backups of device settings and restore at will
- SNMPv2 and Lynx Remote Control Interface Protocol support for third party control software
- 1 x RJ-45 10/100 Ethernet connection

The SRV 1000 is a yellobrik control module, designed to simplify the control of complex yellobrik systems. Unlock powerful features with LynxCentraal, like automation, backup and restore, customized control panels, centralized updates, and more.

Automate your setup with AutoControl. The graphical "If...then" configurator makes event handling easy without programming knowledge. This can be set up for any compatible yellobrik and Series 5000 card. React to almost anything, from PSU failures to video signal status changes.

With CustomControl you can create panels for your monitoring and control needs. Show data like temperature, fan speed, and more. Choose buttons, switches, and dials with individual functions. A single panel can be used to interface one or multiple products. Accessibility to panels can be limited to LynxCentraal users.

Use the "Backup and Restore" function to make snapshots of settings for entire systems, single devices, or anything in between. Restore them with the click of a button anytime.

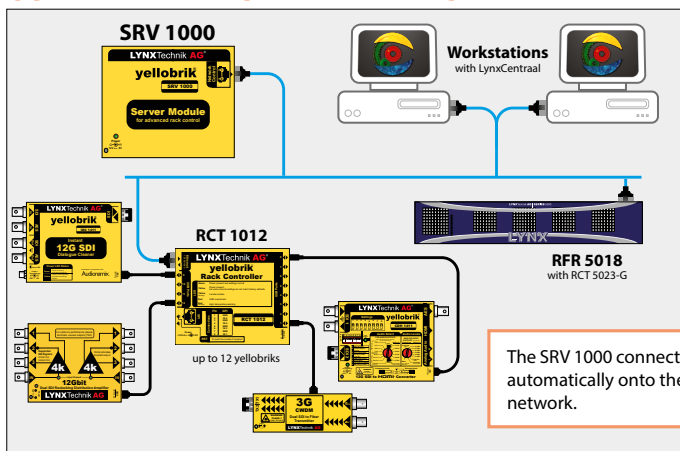
Full SNMPv2 support and the Lynx Remote Control Interface Protocol enable third-party control software to also work with SRV 1000 and all connected devices.



Technical Specifications

Network	10/100 Ethernet - RJ-45 Connector
Power	+12V DC @ 1.5W nominal - (supports 7 - 24V DC input range)
Physical	Size: 108 mm x 90mm x 22mm (4.25" x 3.54" x 0.86") Weight: 145g (5.1oz)
Ambient	5 - 40°C (41 - 104°F) 90% Humidity (non condensing)
Model #	SRV 1000 (EAN# 4250479429031)
Includes	Module, AC power supply

Application Example: Basic Setup

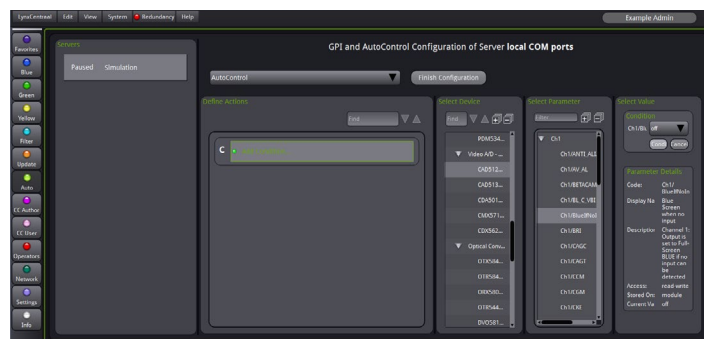


The SRV 1000 connects automatically onto the network.

Overview: Lynx Centraal



With CC Author individual control solutions can be built. CC User will



AutoControl in LynxCentraal enables automated responses to events.

SRV1000-rev01 Specifications subject to change

