



yellobrik®

yellobrik®

Quick Reference

Technical Specifications

SDI Video	4 x SDI inputs on 75 Ohm BNC connections [OTX 1A42] 4 x SDI outputs on 75 Ohm BNC connections [ORX 1A42]
	SMPTE 259M-2008, SMPTE 292-1:2012, SMPTE 292-2:2011, SMPTE 424M-2006, SMPTE ST-2081, SMPTE ST-2082, DVB ASI
	Multi-standard / Multi-format operation auto-detect. Multi-rate reclocking: 270M / 1.5G / 3G / 12G
	Return loss: >15dB up to 1.5GHz; >10dB up to 3GHz >7dB up to 6GHz; >12dB up to 12GHz
	Automatic Cable EQ: 250m@270Mbit/s, 190m@1.5Gbit/s, 140m@3Gbit/s, 80m@12Gbit/s
Fiber Optic	1 x COM port: Fiber optic I/O port (LC/PC Connections) 1 x UPG port: Fiber optic expansion port (LC/PC Connections)
	SMPTE 297M - 2006
	Internal CWDM [1350nm, 1370nm, 1390nm, 1410nm] Optical budget: 10.6dB Maximum distance [typical]: 10km (12 miles)
Power	+12V DC (7-24V DC) - 2 x Power LEDs provided OTX 1A42: 5.4W ORX 1A42: 4.4W

Optional Mounting Solutions

The optional RFR 1018 rack mount can be used to mount bigger sized yellobrik modules inside a 19" rack.



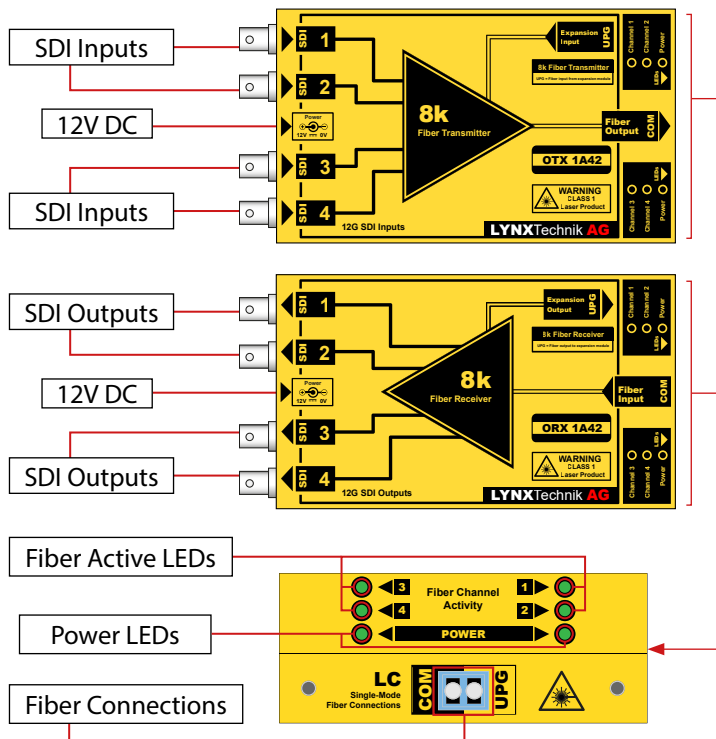
Visit our website for the latest product updates.

www.lynx-technik.com

LYNXTechnik AG® | Broadcast Television Equipment

OTR 1A42

8k (48G) Fiber Transmission System



WARNING: Module laser is active as soon as power is connected, **regardless of LED indication**

Connections

The OTR 1A42 is a self-contained fiber conversion solution for the transmission of up to 4 uncompressed 12G SDI signals over a single fiber link (maximum 10km/12 miles). The kit includes an OTX 1A42 fiber transmitter and an ORX 1A42 fiber receiver and 2 power supplies.

Each SDI channel is independent and can transport any SDI format from 270Mbit/s to 12Gbit/s. For 8K applications 4x12G SDI links are typically used. Each SDI channel is transparent with support for embedded audio and any associated ancillary metadata in the SDI stream. The modules will auto-detect and re-clock SDI bit-rates of 270M, 1.5G, 3G, 6G or 12G.

Operation

The SDI electrical inputs and outputs are BNC connections, and the fiber I/O is connected to the COM port on each module using LC/PC connectors.

The module has no user settings, operation is fully automatic. The module supports hot plugging the connections.

Note: The modules are CWDM devices and can only be used with SMF (Singlemode fiber). Multimode fiber is not supported.

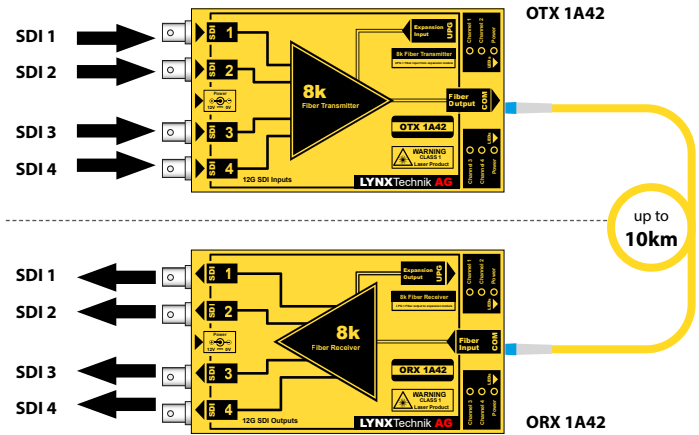
Indicators

The module uses optical CWDM multiplexing internally. Fiber activity LEDs are provided which indicate the presence of valid SDI signals in the corresponding channel.

Two power LEDs are also provided and both need to be ON for normal operation.



Note: This system should be considered a closed loop point to point system and should not be integrated into an external CWDM system.



The fiber connection is made between each COM port. The UPG port is used to connect the OTR 1A41 to add 4 more 12G SDI channels.

Power

The module requires a clean 12V DC (7-24V DC) power source. An LED is provided to confirm power is connected. A 12V DC power supply is included with the module. If you are applying your own power source, please provide a clean, 7-24V DC power source. Power consumption information can be found in the technical specifications table.

Power Lead Strain Relief

There is a small extruded loop above the power connector which can be used with the supplied tie-wrap to secure the power lead.

