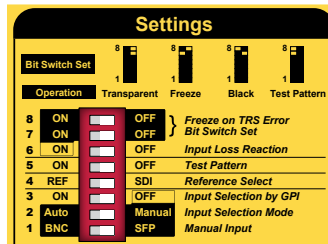


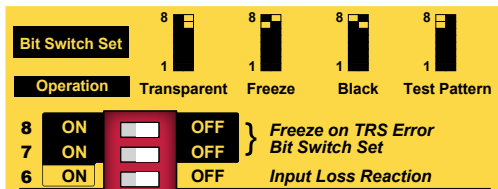
Settings

A dip switch is provided for manual module configuration.



Each switch function is described below:

- Manual Input** - Manual switch between BNC or SFP input.
- Input Selection Mode** - Switch between automatic or manual input selection. Manual input selection will consider the setting of switch 3.
- Input Selection by GPI** - When set to ON the SDI input can be switched by closing the connections between IN 1 - 4 and GND.
- Reference Select** - Switch between using the external reference input or SDI input as a reference.
- Test Pattern** - Turns the test pattern generator ON or OFF
- Input Loss Reaction** - Switch between reacting or not reacting on input loss. If switched on, switches 7 and 8 set how the device reacts.
- 7 & 8 "Freeze on TRS Error" Bit Switch Set**



- Transparent:** Don't act on signal drop (not recommended)
Freeze: Freeze on last frame
Black: Black screen
Test Pattern: Show test pattern
Default: Black (can be changed in GUI)
Options: White, Yellow, Cyan, Green, Magenta, Red, Blue, Black, Grey 15%, Colorbar, Colorbar over Red, White/Black Bars, EQ Pathological, PLL Pathological, EQ/PLL Pathological



PVD1400_R01

yellobrik®

yellobrik®

Quick Reference

Technical Specifications

SDI Video	1 x SDI Input on 75 Ohm BNC connector 1 x SDI Loop Output on 75 Ohm BNC connector 2 x SDI Output on 75 Ohm BNC connector SMPTTE ST 2082 (12G), SMPTTE ST 2081 (6G), SMPTTE 424M (3G), SMPTTE 292M (1.5G), SMPTTE 259M (270M) Electrical Return Loss: >15dB from 5MHz to 1.5GHz, >10dB from 1.5GHz to 3GHz, >7dB from 3GHz to 6GHz, >4dB from 6GHz to 12GHz Automatic cable EQ (Belden 1694A cable) 190m @ 1.5Gbit/s, 150m @ 3Gbit/s, 85m @ 12Gbit/s
Fiber Optic	SFP Port (Optional): SMPTTE ST 2082 1 x fiber optic input (LC/PC Connections) 1 x fiber optic output (LC/PC Connections)
Reference	1 x Reference Input on 75 Ohm BNC connector
GPI	4 x GPI Inputs
USB	Standard USB Mini B port for control, monitoring, and updates
Power	+12V DC @ 8.7W nominal (supports 10 - 24V DC input range)

Online Product Page

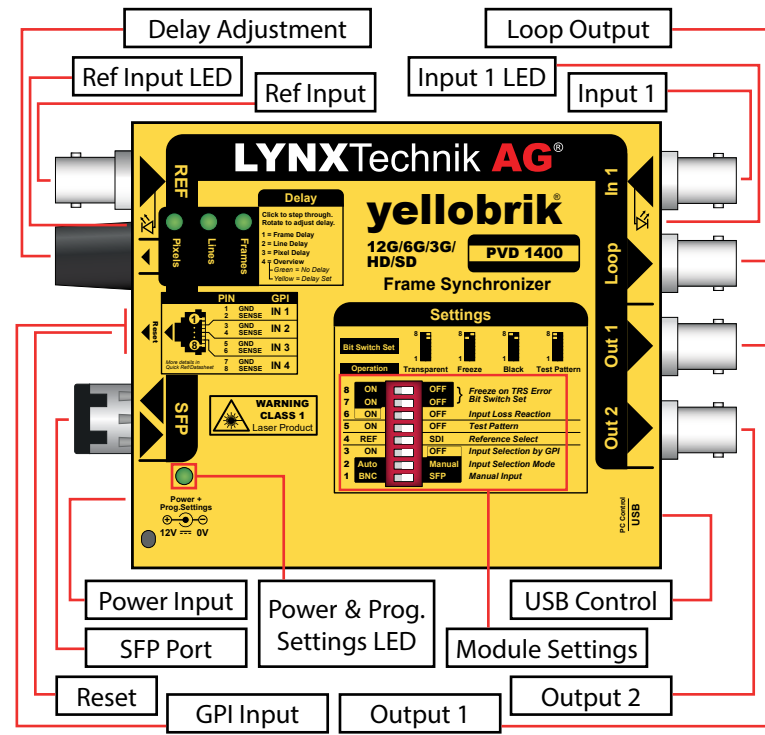
For additional information on the device visit our website via the QR code to the right. This website shows the most recent datasheets, quick reference guides and more.



CAUTION: This is a high power module. If mounting the module in the RFR 1200 rack frame please leave an empty slot each side of the module to allow for adequate airflow to prevent the risk of overheating.

PVD 1400

12G/6G/3G/HD/SD Frame Synchronizer



LYNXTechnik AG | www.lynx-technik.com

WARNING
CLASS 1M LASER PRODUCT



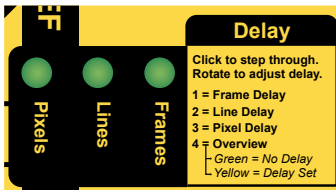
Laser Radiation
Do not look directly into emitter with optical instruments

Connections

All connections are indicated on the module. Electrical SDI and Ref Input are made using the Standard 75Ohm BNC connectors. SDI fiber connections are dependant on the optionally available SFP. Most SFPs available from LYNX Technik offer LC/PC connectivity, but ST and SC variants are also available. GPI connections are made by using RJ45 connectors. They can be used to switch the input, force a freeze of the signal or to en-/disable latched changeover mode.

Delay Adjustment

A rotary control is provided to manually adjust the video output delay. A maximum delay of 30 frames adjustable in frame / lines / pixels increments is possible. Pressing the rotary control cycles between the 4 adjustment modes, which are indicated by the LEDs. Delay can also be adjusted in LynxCentraal or yelloGUI

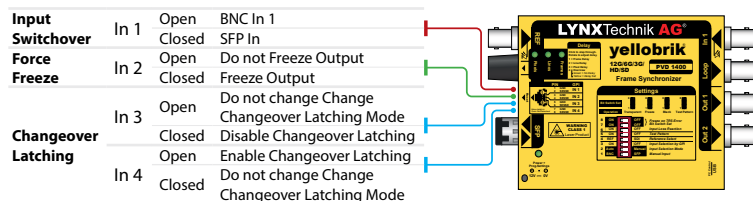


When an LED is illuminated turning the rotary control will adjust the delay in the selected increments (frames / lines / pixels).

In "overview" mode all 3 LEDs will be green if there is no delay adjustment set (0) and yellow if the setting is anything but zero. Turning the rotary control will have no effect.

GPI

The PVD 1400 has four GPI connectors. Enable them by closing the connection between GND and SENSE.



Module LEDs

The module has several LEDs included to indicate status:

Power / Prog Setting LED

- Green Power OK - no internal programmed settings are present (factory preset)
- Yellow Power OK - some programmed settings are active*
- Yellow (blinking) Locate module function active
- Red Power OK - switch settings have been overwritten with control software settings
- Off Power not present

*Internal settings have been made using LynxCentraal and the LED indicates this by turning yellow. The module can be reset to factory defaults by using the reset switch (recessed under a hole on the side of the module). When reset the LED will change back to green.

Ref Status LED

- Green Reference signal is present and matches the SDI input format
- Yellow Reference signal is present but does not match the SDI input format. The SDI output is being converted to match reference input.
- Off None or no valid reference signal

SDI Input 1 Status LED

- Green Valid SDI signal connected
- Off None or no valid SDI signal detected

Firmware Updates / Control Software

To update a yellobrik, connect power to it and connect it to the PC or Mac running LynxCentraal with the provided USB cable. The control software will indicate if a new firmware is available. To start the update change to the "Update" tab, select the devices to update and click "Start Update" in the bottom right corner.

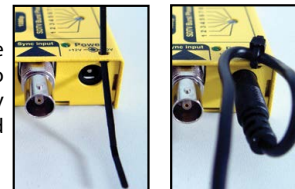


Firmware updates are always free of charge.

lynxcentraal.lynx-technik.com

Power Lead Strain Relief

The module has a small hole in the case located above the power connection. To prevent the power lead being accidentally pulled out, use the supplied tie-wrap and secure the lead as shown opposite.



Mounting Solutions

The optional RFR 1001 mounting bracket can be used to permanently mount the module on any surface or on 19" rack rails.



The optional RFR 1000-1 and RFR 1200 rack mount can be used to mount up to 14 yellobrik modules. In addition, both rack frames provide full power redundancy for all mounted yellobriks.



Support

If you encounter issues or have questions visit our knowledge base for FAQ on your product. Can't find the answer to your problem? Contact our support team for individual support



Please remember to register your product via LynxCentraal so we can process future repairs, returns or similar faster.

support.lynx-technik.com