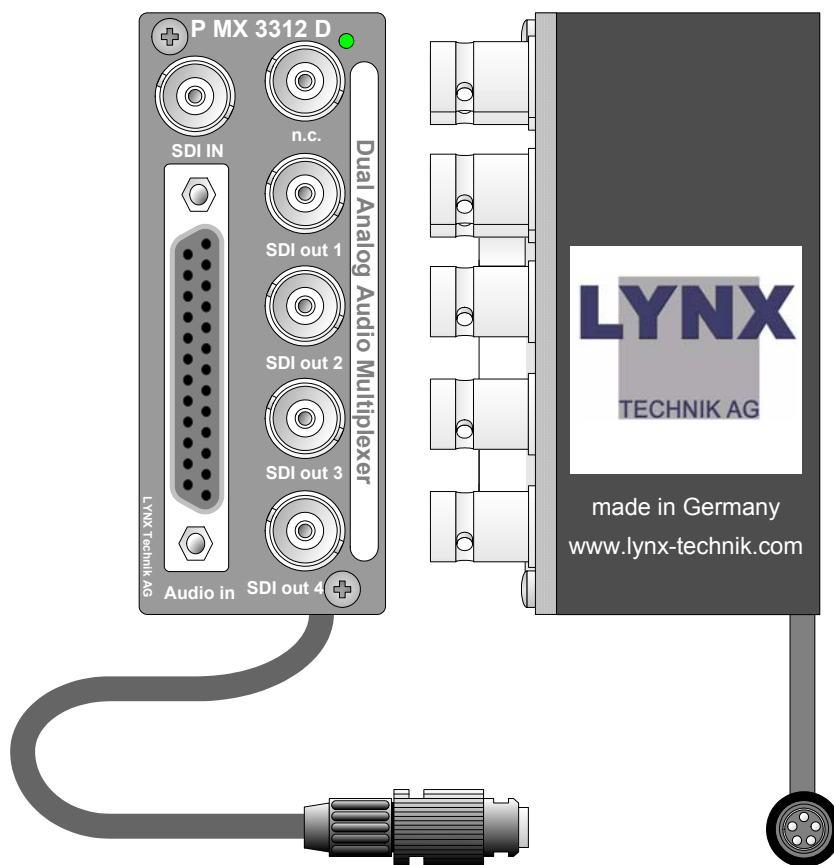


Reference Manual

P MX 3312/3313 D

Dual Analog Audio Multiplexer

Series 3000
MiniModules



© LYNX Technik AG
Brunnenweg 3
64331 Weiterstadt
Germany
www.lynx-technik.com

Information in this document is subject to change without notice. No part of this document may be reproduced or transmitted in any form or by any means, electronic or mechanical for any purpose, without express written permission of LYNX Technik AG.

LYNX Technik AG may have patents, patent applications, trademarks, copyrights or other intellectual property rights covering the subject matter in this document. Except as expressly written by LYNX Technik AG, the furnishing of this document does not give you any license to patents, trademarks, copyrights or other intellectual property of LYNX Technik AG or any of its affiliates.

© LYNX Technik AG 2002 all rights reserved

Warranty

LYNX Technik AG warrants that the product will be free from defects in materials and workmanship for a period of two (2) years from the date of shipment. If this product proves defective during the warranty period, LYNX Technik AG at its option will either repair the defective product without charge for parts and labor, or will provide a replacement in exchange for the defective product.

In order to obtain service under this warranty, customer must notify LYNX Technik of the defect before expiration of the warranty period and make suitable arrangements for the performance of service. Customer shall be responsible for packaging and shipping the defective product to the service center designated by LYNX Technik, with shipping charges prepaid. LYNX Technik shall pay for the return of the product to the customer if the shipment is within the country which the LYNX Technik service center is located. Customer shall be responsible for payment of all shipping charges, duties, taxes and any other charges for products returned to any other locations.


This warranty shall not apply to any defect, failure, or damage caused by improper use or improper or inadequate maintenance and care. LYNX Technik shall not be obligated to furnish service under this warranty a) to repair damage resulting from attempts by personnel other than LYNX Technik representatives to install, repair or service the product; b) to repair damage resulting from improper use or connection to incompatible equipment; c) to repair any damage or malfunction caused by the use of non LYNX Technik supplies; or d) to service a product which has been modified or integrated with other products when the effect of such modification or integration increases the time or difficulty servicing the product.

THIS WARRANTY IS GIVEN BY LYNX TECHNIK WITH RESPECT TO THIS PRODUCT IN LIEU OF ANY OTHER WARRANTIES, EXPRESS OR IMPLIED. LYNX TECHNIK AND ITS VENDORS DISCLAIM ANY IMPLIED WARRANTIES OF MERCHANTABILITY OR FITNESS FOR A PARTICULAR PURPOSE. LYNX TECHNIK`S RESPONSIBILITY TO REPAIR AND REPLACE DEFECTIVE PRODUCTS IS THE SOLE AND EXCLUSIVE REMEDY PROVIDED TO THE CUSTOMER FOR BREACH OF THIS WARRANTY. LYNX TECHNIK AND ITS VENDORS WILL NOT BE LIABLE FOR ANY INDIRECT, SPECIAL, INCIDENTAL, OR CONSEQUENTIAL DAMAGES IRRESPECTIVE OF WHETHER LYNX TECHNIK OR THE VENDOR HAS ADVANCE NOTICE OF THE POSSIBILITY OF SUCH DAMAGES.

Regulatory information

Europe

Declaration of Conformity

We	LYNX Technik AG Brunnenweg 3 D-64331 Weiterstadt Germany
<i>Declare under our sole responsibility that the product</i>	
TYPE: P MX 3312/3313 D	
<i>To which this declaration relates is in conformity with the following standards (environments E1-E3):</i>	
EN 55103-1 /1996	
EN 55103-2 /1996	
EN 60950 /2001	
<i>Following the provisions of 89/336/EEC and 73/23/EEC directives.</i>	
	Winfried Deckelmann
Weiterstadt, January 2004	
<i>Place and date of issue</i>	<i>Legal Signature</i>

USA

FCC 47 Part 15

This device complies with part 15 of the FCC Rules. Operation is subject to the following two conditions: (1) This device may not cause harmful interference, and (2) this device must accept any interference received, including interference that may cause undesired operation.

Note: This equipment has been tested and found to comply with the limits for a Class A digital device, pursuant to the part 15 of the FCC Rules. These limits are designed to provide reasonable protection against harmful interference when the equipment is operated in a commercial environment. This equipment generates, uses, and can radiate radio frequency energy and, if not installed and used in accordance with the instruction manual, may cause harmful interference to radio communications. Operation of this equipment in a residential area is likely to cause harmful interference in which case the user will be required to correct the interference at his own expense

Contents

Warranty	3
Regulatory information	4
Europe.....	4
Declaration of Conformity	4
USA.....	4
FCC 47 Part 15	4
Contents	5
Getting Started	7
Packaging	7
Product Description	7
Functional Diagram	9
Module Layout.....	9
Connections	11
Audio / Video Connections	11
Audio Input Connections (balanced).....	11
Power Connections	12
DC Power Connector.....	12
Installation	13
Mechanical	13
Stand Alone Operation	13
Multiple Units	14
Electrical Installation.	15
Stand Alone Operation	15
Multiple Units	16
Settings and Control	17
Switch Settings.....	17
Switch Function Detail	18
Auto Store	20
Factory Preset Condition	21
Alarm/LED Status Indicators	22
Channel Condition Indicator	22
Front Panel Alarm Indicator	23
Available Options	26
Parts List	27
Service	27
Contact Information	28

This Page is intentionally left blank

Getting Started

Packaging

The shipping carton and packaging materials provide protection for the module during transit. Please retain the shipping cartons in case subsequent shipping of the product becomes necessary.

Product Description

The P MX 3312/3313 D is a high quality analog Audio multiplexer (Audio Embedder) designed primarily for broadcast and professional applications.

The Module accepts 2 external analog Audio Stereo inputs (combined into one audio group) and multiplexes this into the incoming SDI video input. Group insertion is selectable (1 through 4). Four separate SDI outputs of the video, with embedded audio are provided. Existing audio groups can be overwritten, deleted or passed transparently. Four separate SDI outputs of the embedded signal is provided which could be used to cascade several modules for additional audio group insertion. The Module uses Sub D connections for audio and standard 75-Ohm (BNC) interconnections for video.

The P MX 3312/3313 has a variety of features, which include:

- User selectable audio groups. (1...4)
- 525 and 625 line standard. (auto detect)
- Supports 4:3 / 16:9 aspect ratios.
- 270 and 360Mbits/s (auto detect)
- Supports 20 and 24 bit audio.

- Supports 8 and 10 bit video.
- EDH insertion back into outgoing SDI data streams.
- Video to green if SDI input lost.
- No audio insertion if audio input lost.
- local DIP switches and LED's for control and status monitoring.
- Microprocessor controlled.
- Remote control interface.

All settings stored in non-volatile flash ram. The module has a built in micro-controller with local controls, status and alarm indicators and well as internal flash ram for storing setups. Any operational parameters configured and stored into the module are recalled when powered up.

The P MX 3312/3313 D is part of the 3000 series of MiniModules, which offer high quality, modularity and flexibility in a very small form factor ideal for applications where space is at a premium.

The modules can be used either stand alone using the optional power supply brick, or as part of a tightly integrated space saving system where up to 10 MiniModules can be mounted utilizing the optional LYNX R FR 3005 / 3010 rack housing.

Functional Diagram

Figure 1 below is the basic functional diagram for the P MX 3312/3313 D MiniModule.

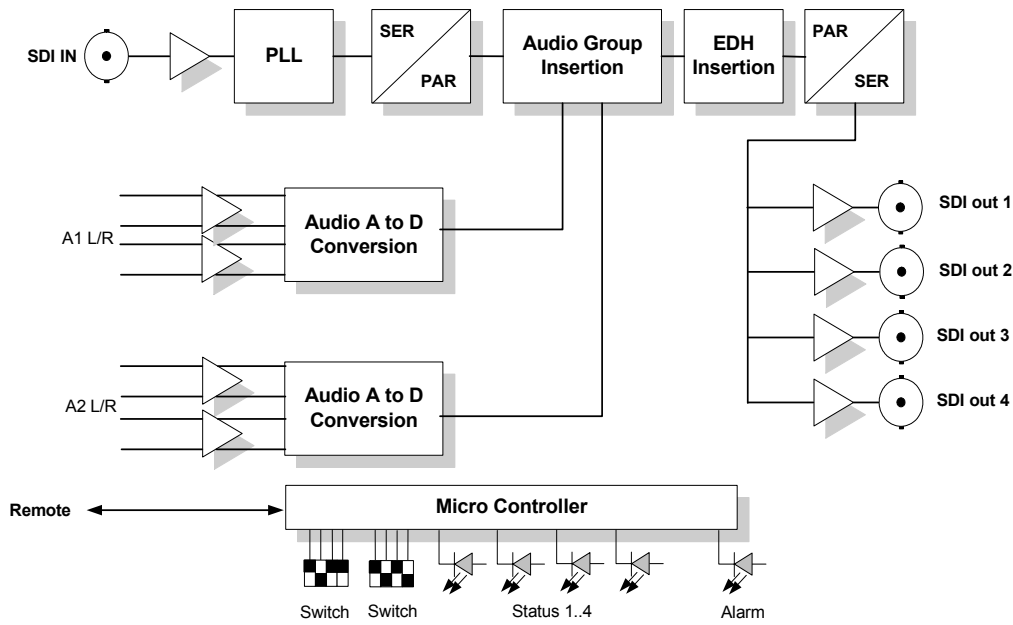


Figure 1- P MX 3312/3313 D Functional Diagram

Module Layout

Figure 2 shows the physical layout of the P MX 3312/3313 D MiniModule. Video I/O is made through standard 75 Ohm BNC video connections and the balanced audio inputs are made on the Sub D connector. Module configuration is set via a small dip-switches located behind access holes in the bottom of the module.

If the module is being used in a stand alone application then the optional power supply (R PS 3001 E, PS 3001 U or R PS 3001-3) is required to power the module (not shown)

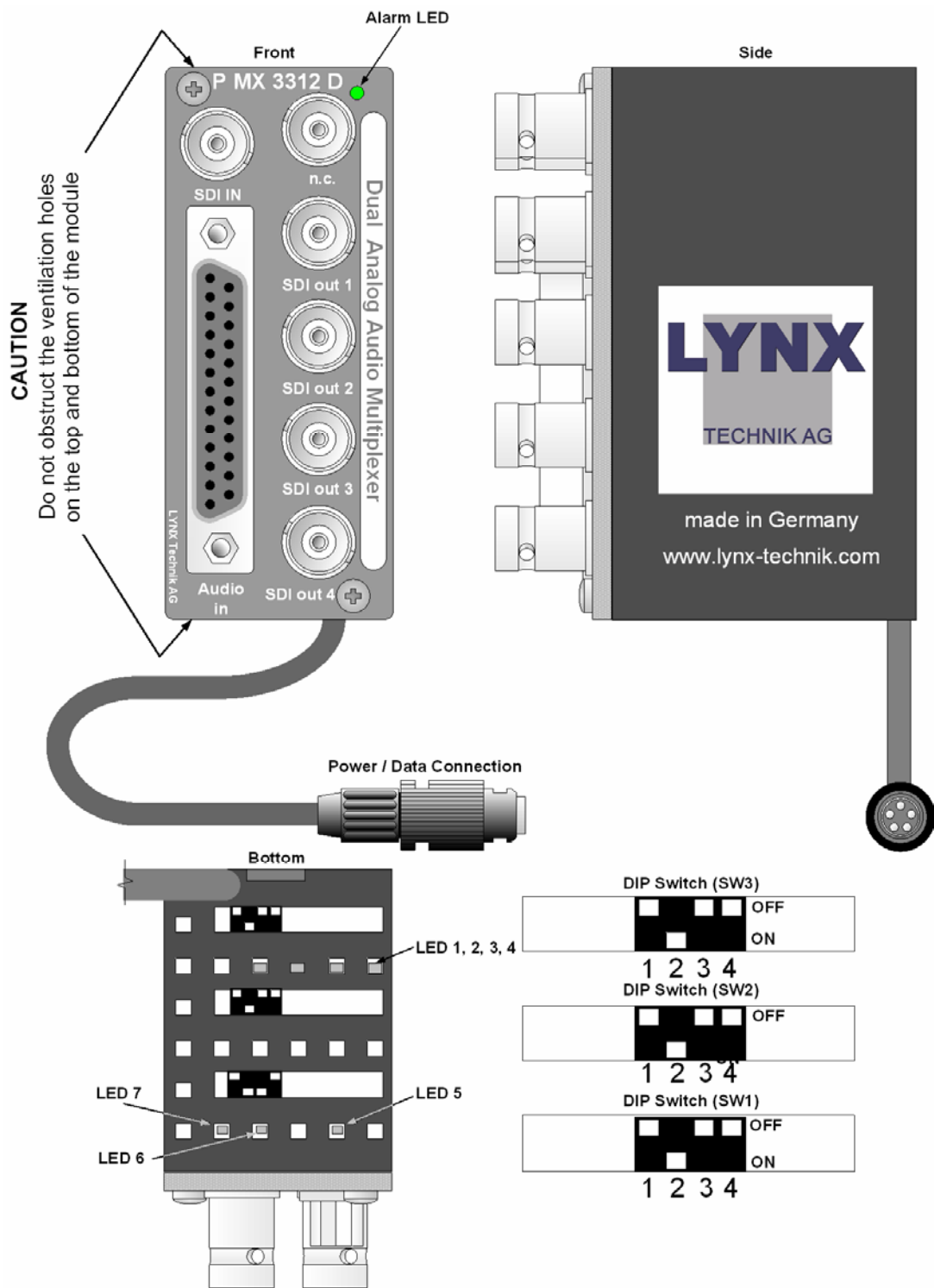


Figure 2 – Module Layout

Connections

Audio / Video Connections

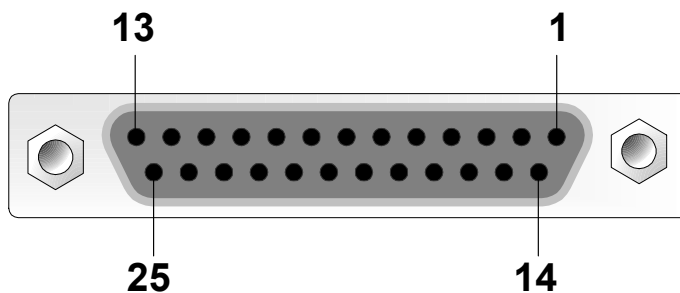
The P MX 3312/3313 D MiniModule is configured with standard 75 Ohm BNC connectors for video I/O Connection is self-explanatory. Balanced audio connections are made via the Sub D connector and should be wired as shown in the table below. We recommend the use of high quality cable suitable for digital video / audio connections to reduce the risk of interference or errors due to excessive cable attenuation.

Note. Due to the compact design of the module it will be necessary to use a connection tool to secure the BNC video connectors to the module.

Audio Input Connections (balanced)

SubD 25 pin female connector.

Pin Number	Connection	Pin Number	Connection
1	+ IN Left 1	14	- IN Left 1
2	GND IN Left 1	15	+ IN Right 1
3	- IN Right 1	16	GND IN Right 1
4	+ IN Left 2	17	- IN Left 2
5	GND IN Left 2	18	+ IN Right 2
6	- IN Right 2	19	GND IN Right 2
7			
8			
9			
10			
11			
12			
13			

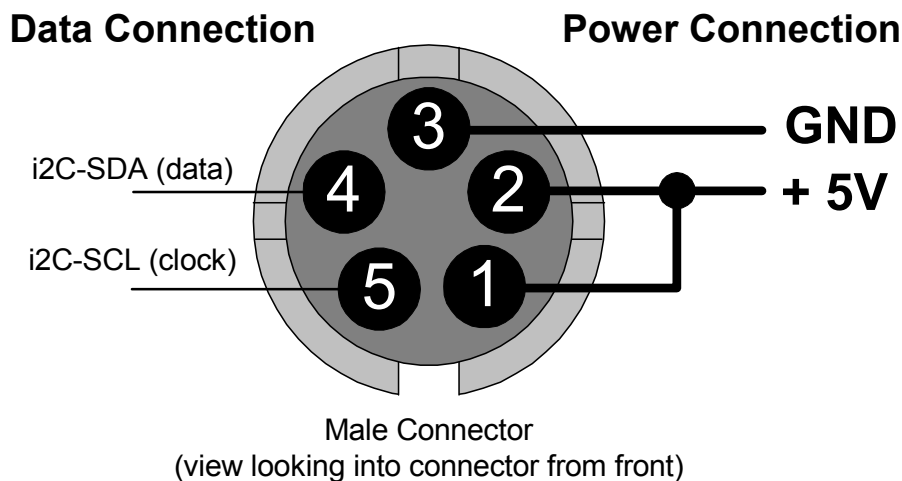


Power Connections

If using the module in a stand-alone application use the separate R PS 3001 E (for Europe), R PS 3001 U (USA) power brick option or R PS 3001-3 desk power supply option.

DC Power Connector

The MiniModule has a captive power lead fitted to the module, with a male 5 pin locking bayonet connector. This connection provides DC power and also data connectivity to the module. Connector wiring is shown below.



Caution

Only use the optional LYNX R PS power modules. Ensure the 5-pin power connector is locked securely in place.

Installation

Mechanical

Stand Alone Operation

The P MX 3312/3313 D MiniModule can be used in a stand alone application. There are two options for the use of the module in this way.

- a) Using the R FR 3005 Rack Frame 1 option. This allows up to any 10 of the MiniModules to be secured onto a rack frame assembly for 19 inch rack mounting. This keeps the modules secured, organized and out of the way. The R PS 3001 power brick option or the R FR 3010 option is required to power each module. Please refer to the R FR 3005 Reference Manual supplied with this option for more details.
- b) Single Use. The MiniModule can be powered independently with the R PS 3001 option and used in any location where this functionality is required.



Caution. Care needs to be taken when using the module in this way, as it is not physically secured. Keep the module away from the floor to avoid the risk of someone stepping or tripping on the unit, and locate the unit away from excessive sources of heat and any sources or moisture.

If using more than one MiniModule in any installation, the R FR 3005/3010 Rack frame combination is highly recommended.

Multiple Units

Most applications will require more than one MiniModule, which can include any of the available Series 3000 MiniModule product range. There are two options for mounting multiple units.

- a) Using the R FR 3005 Rack Frame option. This allows up to any 10 of the MiniModules to be secured onto a rack frame assembly for 19 inch rack mounting. The R PS 3001 power brick option or the R FR 3010 option is required to power each module. Please refer to the R FR 3005 Reference Manual for more details.

- b) Using the R FR 3010 Rack frame extension option. Can be combined with the R FR 3005 Rack frame option. Each module plugs into a connection bus, which provides common power for all modules. (no R PS external power supplies are needed).

The very small size and density of the MiniModules combined with the available rack frame options allows the addition of a complex and custom signal distribution system without taking any additional front rack space. The rack frames are designed for installation in the back of 19-inch racks where there is normally plenty of available space. Ideal for mobile truck installations and facility expansions where space is at a premium.

Electrical Installation

Stand Alone Operation

The MiniModule requires the R PS 3001 power brick option for stand-alone operation. Three versions are available: R PS 3001 E for European markets, R PS 3001 U for the US markets and the R PS 3001-3 desk power supply. Please ensure you have the correct power option for your region. The connection to the module is made with a small 5-pin connector, which has a twist bayonet securing system. Please make sure the connection is solid and locked in place. A strain relief is included within the module to prevent excessive strain on the connection.

Signal connections should be made with care, please ensure connections are correct and compatible equipment is feeding / receiving the signals from the module or damage can result.



Caution. Only use the optional LYNX R PS 3001 power modules. Ensure the 5-pin power connector is locked securely in place.



Caution. Care needs to be taken when using the module in this way, if it is not physically secured. Keep the module away from the floor to avoid the risk of someone stepping or tripping on the unit, and locate the unit away from excessive sources of heat and any sources or moisture.

Multiple Units

When installing multiple MiniModule units it is recommended you use the R FR 3005 Rack Frame 1 and / or R FR 3010 Rack Frame 2 options. Please refer to the documentation supplied with these options for details on electrical installation.

Settings and Control

The P MX 3312/3313 is configured via 3 integrated dip switches (SW1, SW2 and SW3) (Figure 2)

Switch Settings

Below are the switch settings for the two 4-position dip-switches (SW2 and SW3) are defined. Please see the section following the table for more detail on each switch function.

SW 1		
Position	Set	Function
1	ON	Select FS 18dBu (EU – P MX 3312 D) Select FS 24dBu (US – P MX 3313 D)
	OFF	Select Low FS range (12dBu or 15dBu) (EU) Select Low FS range (15dBu or 18dBu) (US)
2	ON	FS range = 15dBu (EU) FS range = 18dBu (US)
	OFF	FS range = 12dBu (EU) FS range = 15dBu (US)
3	ON	Mute channel 1
	OFF	Normal operation
4	ON	Mute channel 2
	OFF	Normal operation

SW 2		
Position	Set	Function
1	ON	Local Adjustment Enabled
	OFF	Local Adjustment Disabled
2	ON	24 bit AES output
	OFF	20 bit AES output
3	ON	Delete ALL incoming embedded AES audio
	OFF	ONLY replace Audio group selected with SW2

SW 3		
Position	Set	Function
1	ON	Audio Group 1 selected
	OFF	
2	ON	Audio Group 2 selected
	OFF	
3	ON	Audio Group 3 selected
	OFF	
4	ON	Audio Group 4 selected
	OFF	

Switch Function Detail

All settings are stored in Flash Ram inside the module (see Auto Store section in this manual). Settings will be recalled on power up.

SW 1:

Dip Switch 1. Full Scale (FS) range select. This switch is used to select either high or low FS range presets **ON** selects the high range, which means 18dBu (P MX 3312) or 24dBu (P MX 3313) **OFF** selects the low range 12dBu or 15dBu (P MX 3312) or 15dBu or 18dBu (P MX 3313) (depending on the selection of switch 2)

Dip Switch 2. Select full scale range (**Switch 1 OFF**)
ON =15dBu for P MX 3312 and 18dBu for P MX 3313
OFF =12dBu for P MX 3312 and 15dBu for P MX 3313

Note. Switch 1 and switch 2 are interactive

Dip Switch 3. Mute channel 1. Selecting **ON** will mute the audio on channel 1 **OFF** is normal operation

Dip Switch 4. Mute channel 2. Selecting **ON** will mute the audio on channel 2 **OFF** is normal operation

SW 2

Dip Switch 1

This switch enables local control using the dip-switches. **ON** enables local control and makes selections on the dipswitch active, and **OFF** disables local control (locking out any local changes)

Note.

*When Switch 1 is initially switched to **ON**, the static settings currently set on the dip-switches may not reflect the actual configuration stored in the module. This is because all settings can be changed from the remote control system or via the Service Adapter. This overrides the local dip switches regardless of Switch 1 ON/OFF setting. To ensure the module reads the local dip switch settings it is recommended to toggle Switch 1 **ON-OFF-ON** before making any local changes to the dip switches.*

SW2 Dip Switch 2

20 / 24 bit operation. When set to **ON** the AES audio output will be 24 bits wide (which is normal). When set to **OFF** the AES audio output can be set to 20 bits, which is sometimes necessary for downstream equipment which may not be compatible with 24 bits operation.

SW2 Dip Switch 3

Delete embedded audio. When set to **ON** this will delete **ALL** incoming AES audio signals on the input SDI signal (if any). When set to **OFF** only the channels selected for embedding (using SW2) will be overwritten. Any remaining audio, which was present on the incoming SDI signal will pass transparently.

SW 2 Dip Switch 4

No function here

SW3 Dip Switch 1 through 4

Select Audio Groups. These four switches are used to select which audio groups are to be embedded into the incoming SDI video. **ON** selects the audio group and **OFF** deselects it.

Auto Store

If no parameters are changed for 10 seconds then the current settings will be written into flash memory automatically, this can be seen by the front LED flashing yellow four times.

Factory Preset Condition

The P MX 3312/3313 D is delivered preset for the following mode of operation:

Switch 1:

1. OFF: Select Low Range 0 dB FS Level (P MX 3312 D)
ON: Select High Range 0 dB FS Level (P MX 3312 D)
2. ON: 15 dBu (P MX 3312 D); 24 dBu (P MX 3312 D)
3. OFF: Normal operation channel 1, no mute
4. OFF: Normal operation channel 2, no mute

Switch 2

1. ON: Local adjustments enabled
2. ON: 24 bit AES
3. OFF: Only replace audio group selected

Switch 3

1. ON: Audio Group 1 Selected
2. OFF
3. OFF
4. OFF

If this is the mode of operation required, then no adjustments are necessary.

Alarm/LED Status Indicators

The P MX 3312/3313 D module has built in LED indicators, which serve as alarm and status indication for the module. Function is described below. The Indicators are found on the bottom of the module and can be seen through the access holes provided. (Figure 2)

Digital Channel Condition Indicator

4 channel Status LEDs (LED 1..4) are provided on the module edge and can be seen through the access holes (figures 2). One LED is provided for each audio group, which is three color, and has several indication states.

LED Color	Indication
Off	No audio present on SDI I/P and none inserted
Green	No audio present on SDI I/P and audio is inserted
Green short blink	Audio present on SDI input (AES1, AES2 or both) and being deleted
Green flashing	Audio group present on SDI input, and is being overwritten by the embedder
More than one Yellow LED on	User error. More than one group is selected.
All LEDS Yellow	User error. Locked * audio group 4 has been selected
Red	Group selected for embedding, but no AES is present, or audio is not synchronous with video (if sample rate converter is deactivated)

*Note

When working in 525 mode with 24 Bit audio selected then only the first three groups can be embedded. Group 4 is locked. In 525 mode with 20-bit audio all four groups are accessible.

Channel Condition Indicators

(LED 5, 6)

One LED is provided for each analog stereo audio channel

LED 5 = Channel 1

LED 6 = Channel 2

LED State	Indication
Green	Input and reference OK (normal)
Green Flashing	Mute is ON
Yellow	Invalid reference or internal reference
Yellow Flashing	Input overload
Red	Input missing

LED 7

LED 3 = ON (GREEN): Local Control enabled

LED 3 = OFF: Local Control disabled

Front Panel Alarm Indicator

There is also a single alarm LED on the front side of the module, (Figure 2) which is designed for quick and easy indication of a problem condition in installations where visible access to the bottom of the module is not convenient. This LED is three color and has several indication states.

LED Color	Indication
Green	All OK
Yellow*	Warning. Only one AES signal present or user configuration error**
Yellow Flashing	Used for "locate" function and also an indication when data is being stored to flash ram
Red	Fatal error condition ***

Note. LED **OFF** indicates power is lost, or there is a power supply fault.

*This indication has to be enabled using remote control either by using a remote controller or the RCT 3000 Service Adapter.

**Example of user configuration error is the module is trying to insert an audio group but no AES audio data is being supplied to the module.

*** Some examples are: no SDI video present, selected audio missing, SDI processing errors, audio processing errors, power up / initialization failure etc.

Specifications (P MX 3312/3313 D)

Inputs (video)

Signal	1 x SDI 4:2:2 SMPTE 259M-CD (270 / 360 Mbps)
Connection	BNC
Impedance	75 Ohms
Return loss	> 15dB (270 MHz)
Max cable length	250 m (270 MHz)

Inputs (audio)

Signal	2x balanced analog stereo inputs
Connection	25 pin Sub D
Impedance	110 Ohms
Sampling	48kHz
Quantization	24 bit
Noise floor	< -90dB (A-weighted)
Distortion	< 0.002% @ 20Hz to 20kHz
Frequency response	0.1dB @ 20Hz to 20kHz
0 dB FS level	+ 12, 15, 18 dBu selectable (P MX 3312 D) + 20, 22, 24 Dbu selectable (P MX 3313 D)

Outputs

Signal	4 x SDI 4:2:2 SMPTE 259M-CD (270 / 360 Mbps) with EDH
Connection	BNC
Impedance	75 Ohms
Jitter	< 0.2 UI

Operating Modes

Embedding	Embed audio 2 x analog stereo audio (one group) in one of four user selectable groups in the SDI input stream
Delete	Delete all selected audio groups.

Electrical Specifications

Operating Voltage	+ 5VDC
Power Consumption	6.5 VA
Connection	DC input via 5 pin locking bayonet connector
Safety	IEC 60950/ EN 60950/VDE 0805

Mechanical

Size	85.5mm x 35.3mm x 50.0mm + connectors
Weight	350g

Ambient

Temperature	5°C to 35°C Maintaining specifications -20°C to +70°C Storage
Humidity	Max 80% non condensing

Supplied Accessories

Documentation	P MX 3312 D Reference Manual and Quick Ref Guide
---------------	---

Available Options

Below is a list of available options for the P MX 3312 D MiniModule. Please refer to product brochures or our web site for more detailed information.

Model	Description
R PS 3001 E	External brick power supply module for Series 3000 MiniModules. European market version. 100-240 VAC input, +5V DC output.
R PS 3001 U	External brick power supply module for Series 3000 MiniModules. USA market version. 110-240 VAC input, +5V DC output.
R PS 3001 -3	External desk power supply module for Series 3000 MiniModules. 110-240 VAC input, +5V DC output.
R FR 3004	4 Module mounting frame. This is a small mechanical mounting bracket for 4 MiniModules. Can be mounted with screws on any surface.
R FR 3005	Rack Frame 1. This is a basic 19 inch rack mountable frame which can accommodate 10 MiniModules with power bricks R PS 1 or can be extended with the R FR 3010.
R FR 3010	Rack Frame 2. This is a card cage with integrated central power supply, optional redundant power supply and optional controller, which can accommodate 10 MiniModules. Can be combined with R FR 3005
R PS C15	1.5m cable extension to connect one MiniModule to R FR 3010
R PS C25	2.5m cable extension to connect one MiniModule to R FR 3010
R PS 5010	Redundant power supply for the R FR 3010 card cage

Parts List

Due to the very dense design and high level of integration there are no user serviceable electronic assemblies within the P MX 3312 D module.

P MX 3312 D Mini Module (complete)

Description	Dual Audio Multiplexer
Model Number	P MX 3312 D
Part Number	6.155.002.295

P MX 3313 D Mini Module (complete)

Description	Dual Audio Multiplexer
Model Number	P MX 3313 D
Part Number	6.155.002.296

Service

If you are experiencing problems, or have questions concerning your P MX 3312/3313 D MiniModule please contact your local distributor for assistance.

We offer a fixed cost service exchange program for defective Series 3000 MiniModules out of Warranty. Please contact your distributor or check our web site for details on this program.

More detailed information and product updates may be available on our web site:

www.lynx-technik.com

You will also find links to contact us directly for assistance.

Contact Information

Please contact your local distributor; this is your local and fastest method for obtaining support and sales information.

LYNX Technik can be contacted directly using the information below.

Address	LYNX Technik AG Brunnenweg 3 64331 Weiterstadt Germany
Website	www.lynx-technik.com
E-Mail	info@lynx-technik.com

LYNX Technik manufactures a complete range of high quality modular products for broadcast and Professional markets, please contact your local representative or visit our web site for more product information.



This Page is intentionally left blank

