

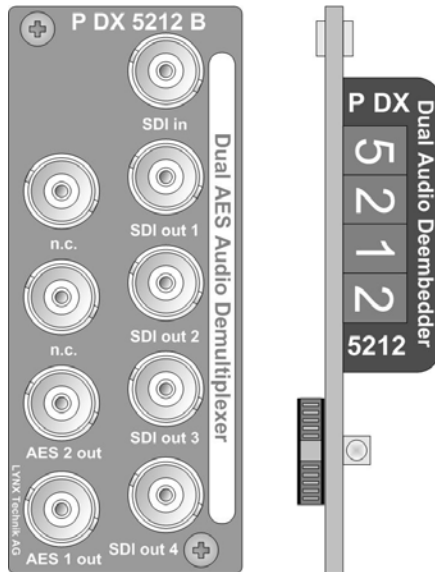


Reference Manual

P DX 5212 B

Dual AES Audio Demultiplexer

Series 5000
CardModule



Information in this document is subject to change without notice. No part of this document may be reproduced or transmitted in any form or by any means, electronic or mechanical for any purpose, without express written permission of LYNX Technik AG.

LYNX Technik AG may have patents, patent applications, trademarks, copyrights or other intellectual property rights covering the subject matter in this document. Except as expressly written by LYNX Technik AG, the furnishing of this document does not give you any license to patents, trademarks, copyrights or other intellectual property of LYNX Technik AG or any of its affiliates.

© LYNX Technik AG 2005 all rights reserved

Warranty

LYNX Technik AG warrants that the product will be free from defects in materials and workmanship for a period of two (2) year from the date of shipment. If this product proves defective during the warranty period, LYNX Technik AG at its option will either repair the defective product without charge for parts and labor, or will provide a replacement in exchange for the defective product.

In order to obtain service under this warranty, customer must notify LYNX Technik of the defect before expiration of the warranty period and make suitable arrangements for the performance of service. Customer shall be responsible for packaging and shipping the defective product to the service center designated by LYNX Technik, with shipping charges prepaid. LYNX Technik shall pay for the return of the product to the customer if the shipment is within the country which the LYNX Technik service center is located. Customer shall be responsible for payment of all shipping charges, duties, taxes and any other charges for products returned to any other locations.


This warranty shall not apply to any defect, failure, or damage caused by improper use or improper or inadequate maintenance and care. LYNX Technik shall not be obligated to furnish service under this warranty a) to repair damage resulting from attempts by personnel other than LYNX Technik representatives to install, repair or service the product; b) to repair damage resulting from improper use or connection to incompatible equipment; c) to repair any damage or malfunction caused by the use of non LYNX Technik supplies; or d) to service a product which has been modified or integrated with other products when the effect of such modification or integration increases the time or difficulty servicing the product.

THIS WARRANTY IS GIVEN BY LYNX TECHNIK WITH RESPECT TO THIS PRODUCT IN LIEU OF ANY OTHER WARRANTIES, EXPRESS OR IMPLIED. LYNX TECHNIK AND ITS VENDORS DISCLAIM ANY IMPLIED WARRANTIES OF MERCHANTABILITY OR FITNESS FOR A PARTICULAR PURPOSE. LYNX TECHNIK'S RESPONSIBILITY TO REPAIR AND REPLACE DEFECTIVE PRODUCTS IS THE SOLE AND EXCLUSIVE REMEDY PROVIDED TO THE CUSTOMER FOR BREACH OF THIS WARRANTY. LYNX TECHNIK AND ITS VENDORS WILL NOT BE LIABLE FOR ANY INDIRECT, SPECIAL, INCIDENTAL, OR CONSEQUENTIAL DAMAGES IRRESPECTIVE OF WHETHER LYNX TECHNIK OR THE VENDOR HAS ADVANCE NOTICE OF THE POSSIBILITY OF SUCH DAMAGES.

Regulatory information

Europe

Declaration of Conformity

<i>We</i>	LYNX Technik AG Brunnenweg 3 D-64331 Weiterstadt Germany
<i>Declare under our sole responsibility that the product</i>	
TYPE: P DX 5212 B	
<i>To which this declaration relates is in conformity with the following standards (environments E1- E3):</i>	
EN 55103-1 /1996	
EN 55103-2 /1996	
EN 60950 /2001	
<i>Following the provisions of 89/336/EEC and 73/23/EEC directives.</i>	
Winfried Deckelmann	
	
Weiterstadt, January 2005	
<i>Place and date of issue</i>	<i>Legal Signature</i>

USA

FCC 47 Part 15

This device complies with part 15 of the FCC Rules. Operation is subject to the following two conditions: (1) This device may not cause harmful interference, and (2) this device must accept any interference received, including interference that may cause undesired operation.

Note: This equipment has been tested and found to comply with the limits for a Class A digital device, pursuant to the part 15 of the FCC Rules. These limits are designed to provide reasonable protection against harmful interference when the equipment is operated in a commercial environment. This equipment generates, uses, and can radiate radio frequency energy and, if not installed and used in accordance with the instruction manual, may cause harmful interference to radio communications. Operation of this equipment in a residential area is likely to cause harmful interference in which case the user will be required to correct the interference at his own expense

Contents

Warranty	3
Regulatory information	4
Europe	4
Declaration of Conformity.....	4
USA.....	4
FCC 47 Part 15	4
Contents	5
Getting Started	7
Packaging	7
Product Description.....	7
Functional Diagram.....	9
Module Layout.....	9
Connections	11
Video Connections	11
Installation	12
Settings and Control	13
Multi Function Switch.....	14
Using the Local Display Menu	15
Navigation.....	15
Local Adjustments Available.....	15
Factory Default Values	15
Menu Structure.....	16
Auto Store	16
Alarm/LED Status Indicators	18
SDI Status Indicator.....	18
AES Status Indicator.....	18
Alarm Indicator.....	18
Locate Function	19
Specifications (P DX 5214 B)	20
Available Options	21
Parts List	21
Service	22
Contact Information	23

This page is intentionally left blank

Getting Started

Packaging

The shipping carton and packaging materials provide protection for the module during transit. Please retain the shipping cartons in case subsequent shipping of the product becomes necessary.

Product Description

The P DX 5212 B is a high quality digital AES Audio de-multiplexer (Audio de-embedder) designed primarily for broadcast and professional applications.

The Module accepts 1 SDI input signal with up to four audio groups embedded. One audio group can be selected and de-multiplexed and output as 2 x AES3 id signals on 75 Ohm BNC connections. An output matrix allows to select the deembedded AES signal per output.

Four reclocked outputs of the input signal are provided to cascade several modules to de-embed further audio groups if required.

The P DX 5212 B has a variety of features, which include:

- User selectable audio groups. (1 through 4)
- Supports 525 / 625 line standards. (Auto detect)
- Supports 4:3 / 16:9 aspect ratios.
- Supports 20 and 24 bit audio.
- Supports 8 and 10 bit video.
- Auto detect 270 / 360 Mbit operation
- Local DIP-switches and LED's for control and status monitoring.
- Microprocessor controlled.
- Remote control interface.
- All settings stored in non-volatile flash ram.
- Four reclocked outputs of input video

The module has a built in micro-controller with local controls, status and alarm indicators and well as internal flash ram for storing setups. Any operational parameters configured and stored into the module are recalled when powered up. Remote control and remote status monitoring is possible when used with the rack frame option and host controller.

CardModules are installed in the series 5000 card frame (R FR 5010) that can accommodate up to 10 CardModules. All modules are hot swappable and Options include full redundant power and a range of controller options.

Functional Diagram

Figure 1 below is the basic functional diagram for the P DX 5212 B CardModule.

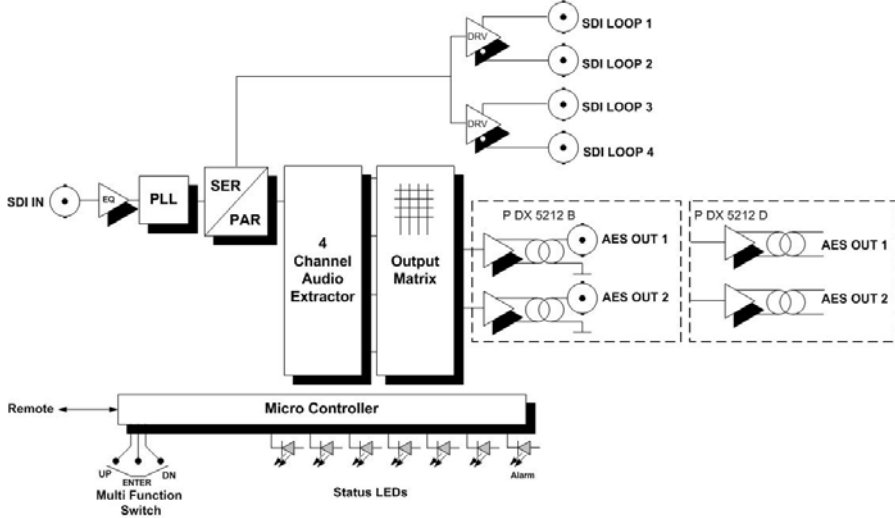


Figure 1- P DX 5212 B Functional Diagram

Module Layout

Figure 2 shows the physical layout of the P DX 5212 B CardModule and also the connection panel that is fitted to the rear of the rack.

PCB Layout

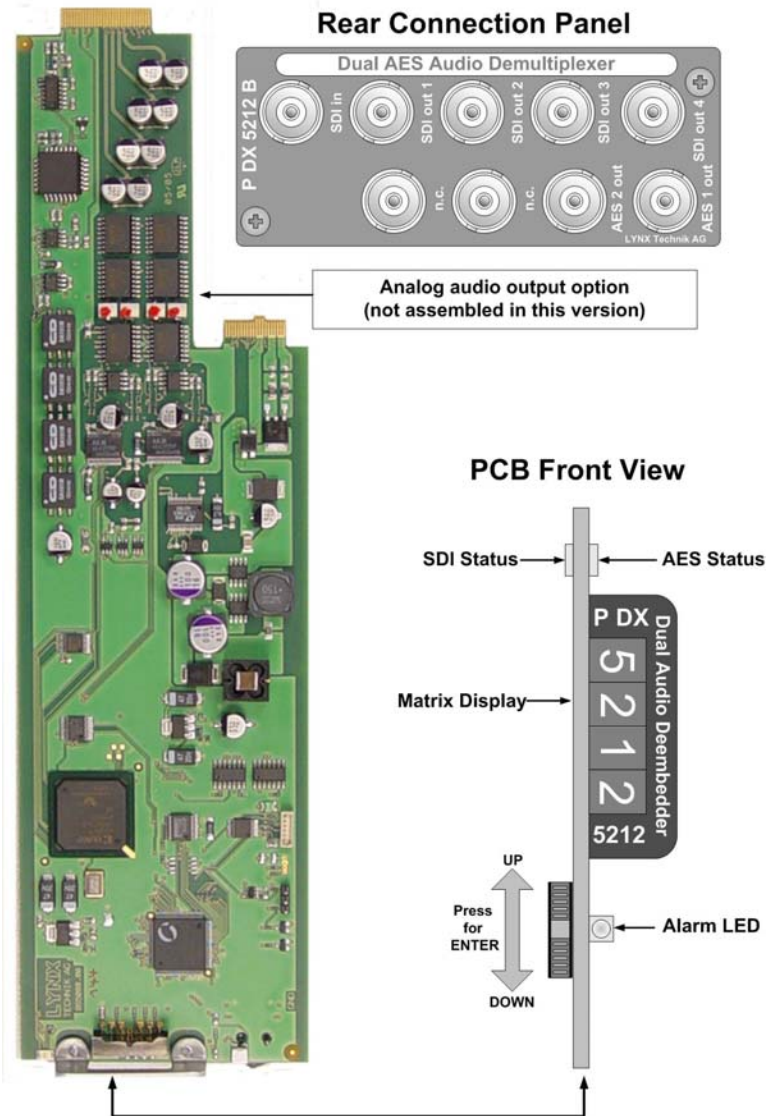


Figure 2 – Module Layout



Caution

Use static precautions when handling the PCB. Static discharge could result in serious damage to the module.

Connections

Video Connections

The P DX 5212 B CardModule is configured with standard 75 Ohm BNC connectors. Connection is self-explanatory. We recommend the use of high quality video cable for digital audio/video connections to reduce the risk of interference or errors due to excessive cable attenuation. Some guidelines for max cable length are shown below.

250m (820 feet) Belden 8281 (270Mbits/s)

Note. Due to the compact design of the connection plate it will be necessary to use a connection tool to secure the BNC video connectors.

Installation



Caution

The CardModule is shipped in a protective anti-static bag. Please take suitable precautions to avoid static discharge onto any part of the PCB or components when handling module or serious damage could result.

Each Card Module is supplied with a rear connection panel and two mounting screws. Please follow the following procedure for installation of the card module into the Series 5000 Card Frame.

- a) Select a slot in the card frame where the CardModule will be located
- b) Remove the blank connection panel from the rear of the rack (if fitted)
- c) Install the rear connection panel using the screws supplied. Do not tighten the screws fully
- d) Slide the card module into the card frame and carefully check the CardModule easily connects to the rear connection plate. The card should fit easily and should not require excessive force to insert, if you feel any resistance, there could be something wrong with the rear connection panel location. Do not try and force the connection. Remove the rear connection panel and check alignment with the CardModule.
- e) Insert and remove the CardModule a few times to ensure correct alignment and then tighten the two screws to secure the rear connection plate

Settings and Control

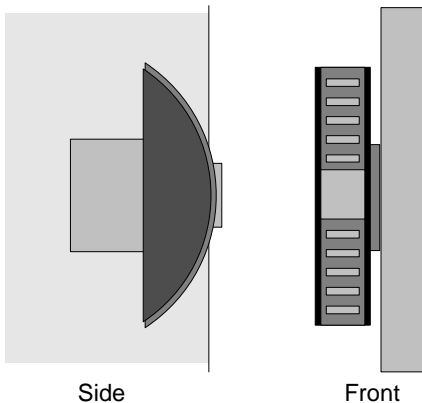
The P DX 5212 has an integrated micro-controller, which enables the module to be configured and controlled locally using the multifunction switch and 4 character dot matrix display, or from remote when using one of the optional controllers and control software.

Once set, all settings are automatically saved in non-volatile internal memory. (Flash ram) The module will always recall the settings used prior to power down.

Multi Function Switch

The CardModule is equipped with a multi-function switch located on the front bottom edge of the card (refer to figure 2)

Multi-function Switch



Switch Operations

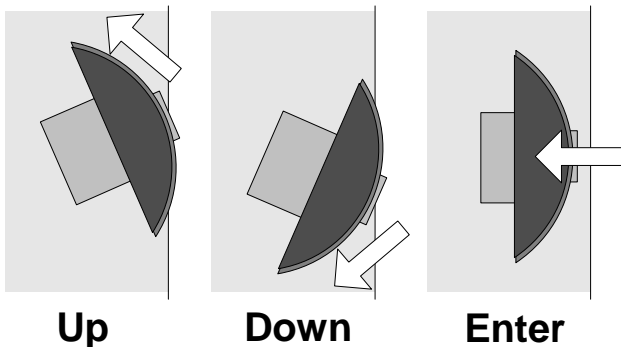


Figure 3 – Switch Operation

Using the Local Display Menus

Making local adjustments to the module is done using the multifunction switch and the integrated 4-character dot matrix display (figure 3). The menu system is layered, and navigation through the system is done using the **UP** and **DOWN** functions of the switch. **ENTER** is used to move between menu levels and also enter a selection.

Navigation

Switch Function	Operation
UP	Move UP within a level
DOWN	Move down within a level
ENTER	Change levels / Make selection

Local Adjustments Available

All of the critical adjustments to the module are accessible using the local display and multi-function switch.

Factory Default Values

The module can be reset via the local menu to factory preset values:

- Group 1 selected

Menu Structure

The Menu structure is defined in the next table, and should be used when navigating through the system.

Notes / Tips.

ENTER moves between Levels

UP/DOWN moves between items within the level

When you enter a new setting the system will jump back one level in the menu system.

The “back” selection in the menu structure will take you back one level when selected.

When an item is selected which has several setting possibilities the first value displayed will be the value currently stored in the system. The order of the available settings for any menu item in the table supplied does not represent the order the settings will actually be displayed.

If left unattended, the menu will default to the root display after a preset timeout.

Auto Store

If no parameters are changed for 10 seconds then the current settings will be written into flash memory automatically, this can be seen by the alarm LED flashing yellow four times.

ROOT	LEVEL 1	LEVEL 2	LEVEL 3	LEVEL 4	COMMENTS
5214	IN	1-4	NONE GRP1 GRP2 GRP3 GRP4 back		"Normal" Root display on module = Module type
	OUT	AES1	1-2 3-4 back		Group Selection for internal Audio Pairs 1-2 and 3-4
		AES2	1-2 3-4 back		Selection of internal Audio Pair for AES 1 output (Audio Matrix)
		back			Selection of internal Audio Pair for AES 2 output (Audio Matrix)
	RSET	NO YES			Restore factory defaults
	back				

Alarm/LED Status Indicators

The P DX 5212 B module has several LED indicators on the card edge that serve as alarm and status indication for the module. The alarm indicator is visible with the cover fitted to the rack. LED functions are described below. Refer to fig 3 for locations.

SDI Status Indicator

This is used to indicate the audio status on the incoming SDI stream.

LED Color	Indication
Green	SDI present
Yellow	SDI invalid
Red	No SDI signal is present

AES Status Indicator

This indicates the status of the embedded audio in the selected audio group

LED Color	Indication
Green	Selected Audio group present
Red	Selected Audio group not present

Alarm Indicator

A Single alarm LED is provided which can be seen while the rack cover is fitted and provides a general alarm indication for the module.

Color	Indication
Green	SDI present and selected audio groups present
Yellow	SDI input OK but Audio Group not present
Red	SDI input is missing

Locate Function

For larger systems which may have multiple Modules of the same type in a single rack, or multiple rack systems on a large central control system we have added a useful utility which will help to visually locate a suspect module quickly (When used in conjunction with the optional control system and software)

Once the specific module has been selected on the control system there is a locate button on the top of the GUI:



Locate Function in Control System

When Locate is selected the status indicator on the GUI and the module LED`s will flash yellow in the following continuous sequence.

3 short flashes.... Pause.... 3 short flashes ...

This uses the alarm LED located on the front of the module and in some cases any channel or status LED`s that may be used in the module.

Use of the locate function will not interfere with the normal operation of the module.

For more details on this feature please check the documentation supplied with the controller software.

Specifications *(P DX 5212 B)*

Input

Signal	1x Serial Digital Video (SMPTE 259A-D)
Embedded Audio	SMPTE 272 M-C
Input level	0.8Vpp
Return loss	> 15dB (270MHz)
Connector	BNC
Input impedance	75 Ohm

Output Video

Signal (Video)	4 x reclocked digital video outputs of input signal. (SMPTE 259A-D)
Connectors	BNC
Output impedance	75 Ohm
Cable Equalization	=>250m (Belden 8281 / 270Mbit/s)
Output level	0.8v p-p (nominal)
Output return loss	> 15 dB (270 MHz)

AES Audio outputs

Signal	2 x AES3id (2 groups)
Connector	BNC
Output impedance	75Ohms
Jitter	< 4ns
Output level	1 V pp (nominal)

Performance

Control	Local settings (switch) and / or remote control using rack controller
Status monitoring	Signal presence detection / alarms

Electrical Specifications

Operating Voltage	+ 12 VDC
Power Consumption	7 W
Safety	IEC 60950/ EN 60950/VDE 0805

Mechanical

Size	283mm x 78mm
Weight	Card module 120g, connection panel 50g

Ambient

Temperature	5°C to 40°C Maintaining specifications
Humidity	Max 90% non condensing

Supplied Accessories

Documentation	P DX 5212 B Reference Manual
---------------	------------------------------

Available Options

Below is a list of related products for the P DX 5212 B CardModule. Please refer to product brochures or our web site for more detailed information.

Model	Description
R FR 5010	Series 5000 Rack Frame (empty) with single power supply
R PS 5010	Redundant power supply for the R FR 5010 Card Frame
R CT 5020	Rack controller for the R FR 5010 Card Frame
R CT 5030	Mastercontroller with TCP/IP interface for the R FR 5010 Card Frame
R CT 5010	Rack Bus Extension for the R FR 5010 Card Frame. In combination with R CT 5020/5030

Parts List

Due to the very dense design and miniature surface mount technology the module is not field serviceable. The information for a replacement assembly is below.

P DX 5212 B CardModule (complete)

Description Dual AES Audio Deembedder

Model Number P DX 5212 B

Part Number 6.155.008.270

Sub Assemblies:

P DX 5214 B Processing Board only. (BS5088_B)

Part Number 6.155.008.392

Rear Connection Panel for P DX 5214 B (MA5026_A)

Part Number 5.155.000.003

Service

If you are experiencing problems, or have questions concerning your P DX 5212 B CardModule please contact your local distributor for assistance.

We offer a fixed cost service exchange program for defective Series 5000 CardModules out of Warranty. Please contact your distributor or check our web site for details on this program.

More detailed information and product updates may be available on our web site:

www.lynx-technik.com

You will also find links to contact us directly for assistance.

Contact Information

Please contact your local distributor; this is your local and fastest method for obtaining support and sales information.

LYNX Technik can be contacted directly using the information below.

Address	LYNX Technik AG Brunnenweg 3 D-64331 Weiterstadt Germany.
Website	www.lynx-technik.com
E-Mail	info@lynx-technik.com

LYNX Technik manufactures a complete range of high quality modular products for broadcast and Professional markets, please contact your local representative or visit our web site for more product information.



